

PRO-CUT'S LATEST RELEASE:

PFM 9.0

ON-CAR BRAKE LATHE (MODEL NO. PCIPFM900)

OEM RECOMMENDED
PRO-CUT
ESSENTIAL EQUIPMENT

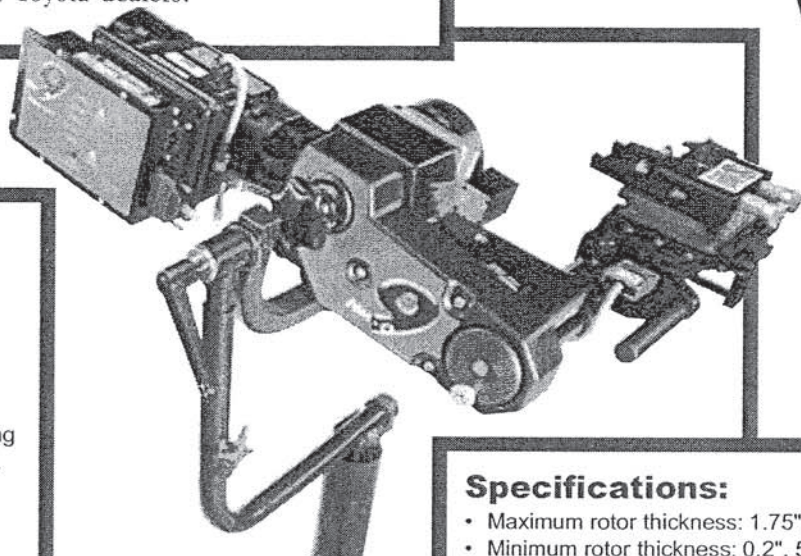
NOW AVAILABLE TO TOYOTA AND LEXUS DEALERS.

"Here at Fred Haas Toyota we use 3 brake lathes supplied by Pro-Cut. These are the very best on-car lathes we have ever used and we have tried others. The cut is accurate and the machines are the easiest to use. We recommend Pro-Cut to all other Toyota dealers."

Jay Henderson
Service Director
Fred Haas Toyota World
Spring, TX

Features:

- Redesigned trolley.
- Membrane keypad.
- .95 hp motor standard.
- Same Day Parts Promise.
- Provides smooth, non-directional micro-finish in a single pass.
- On-car function eliminates time-consuming removal of pressed-on or "trapped" rotors.
- Powerful motor turns 4x4 wheels easily.
- Single pass removes up to 0.020".
- Cast aluminum body provides natural dampening and is virtually indestructible.
- Extra-wide adjustment range handles rear rotors easily.
- Rigid tool arm ensures that rotor surfaces will be parallel and exactly perpendicular to spindle axes.
- Simple, easy-to-use adaptors.
- Automatic shutoff switch allows hands-free operation.



Specifications:

- Maximum rotor thickness: 1.75", 44 mm
- Minimum rotor thickness: 0.2", 5 mm
- Maximum rotor diameter: 16.2", 412 mm
- Minimum rotor diameter: 4", 102 mm
- Maximum depth of cut: 0.020"/side, 0.51 mm
- Spindle speed: 126 r.p.m.
- Carriage speed: 0.005"/rev., 0.12 mm/rev.
- Motor: 0.75 hp, 0.56 kW
- Weight: 57 lbs., 26 kg
- Electrical supply: 110 volt/1 phase/60 Hz
380 volt/3 phase/50 Hz

The PFM9.0 has evolved from Pro-Cut's award winning (two *Motor Magazine* Top 20 Tools awards and an *Undercar Digest* Top 10 Tools award) lathes. IT'S FASTER – JUST 9 MINUTES! IT'S MORE ACCURATE! IT'S THE LATHE OF THE FUTURE OF ON-CAR MACHINING!

Pro-Cut stands behind the PFM9.0 like no other company stands behind its products, and that's proven in our LIFETIME SAME DAY PARTS PROMISE. Our technicians guarantee that any ordered parts will be on their way the same day the order is placed, or the parts are free.

Fax your order form
(located on the back)
to 1-800-892-9651 or
call 1-800-368-6787
for more information.

