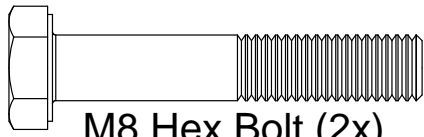


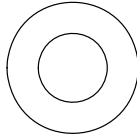
50-380 & 50-390 Assembly Instructions

Please check box contents. Call Pro-Cut at 1-800-543-6618 immediately if any parts are missing or damaged.

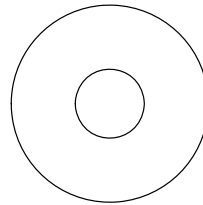
All hardware shown 1:1.



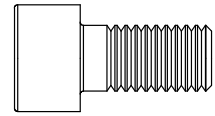
M8 Hex Bolt (2x)
35-252



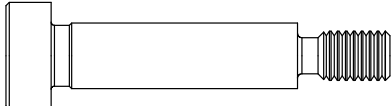
M8 Washer (2x)
37-003



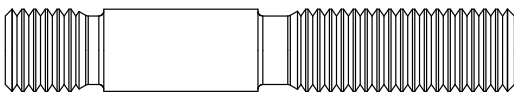
M8 Washer Wide (1x)
37-015



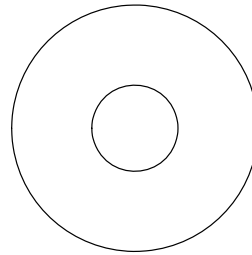
M8 Socket Screw (1x)
35-238



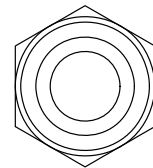
M6 Shoulder Bolt (2x)
35-425



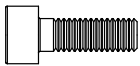
M10 Stud (2x) 35-158



M10 Washer (2x) 37-998



M10 Locknut (2x) 36-001B



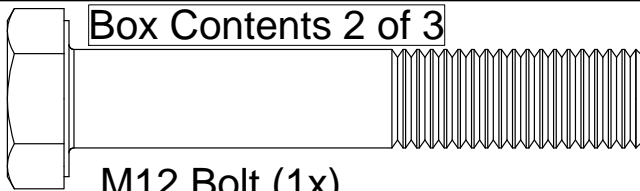
M4 Socket Screw (4x)
35-258



M4 Locknut (4x)
36-021

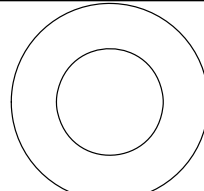
(c) Pro-Cut International LLC 5/9/2012

Box Contents 1 of 3

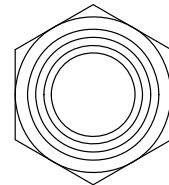


Box Contents 2 of 3

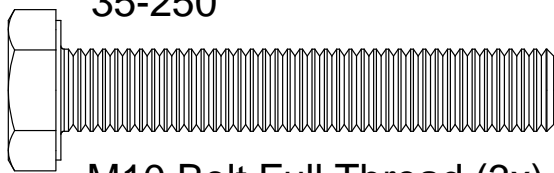
M12 Bolt (1x)
35-250



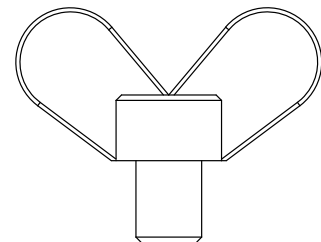
M12 Washer (2x) 37-004



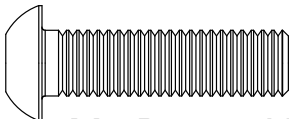
M12 Locknut (1x) 36-003



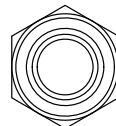
M10 Bolt Full Thread (3x)
35-245



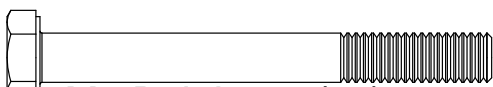
Thumb Screw (1x) 35-243



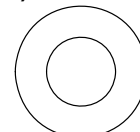
M8 Button Head Screw (4x)
35-248



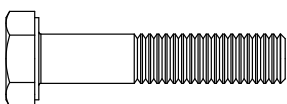
M8 Locknut (4x) 36-002



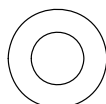
M6 Bolt Long (1x)
35-251



M8 Washer (1x) 37-003



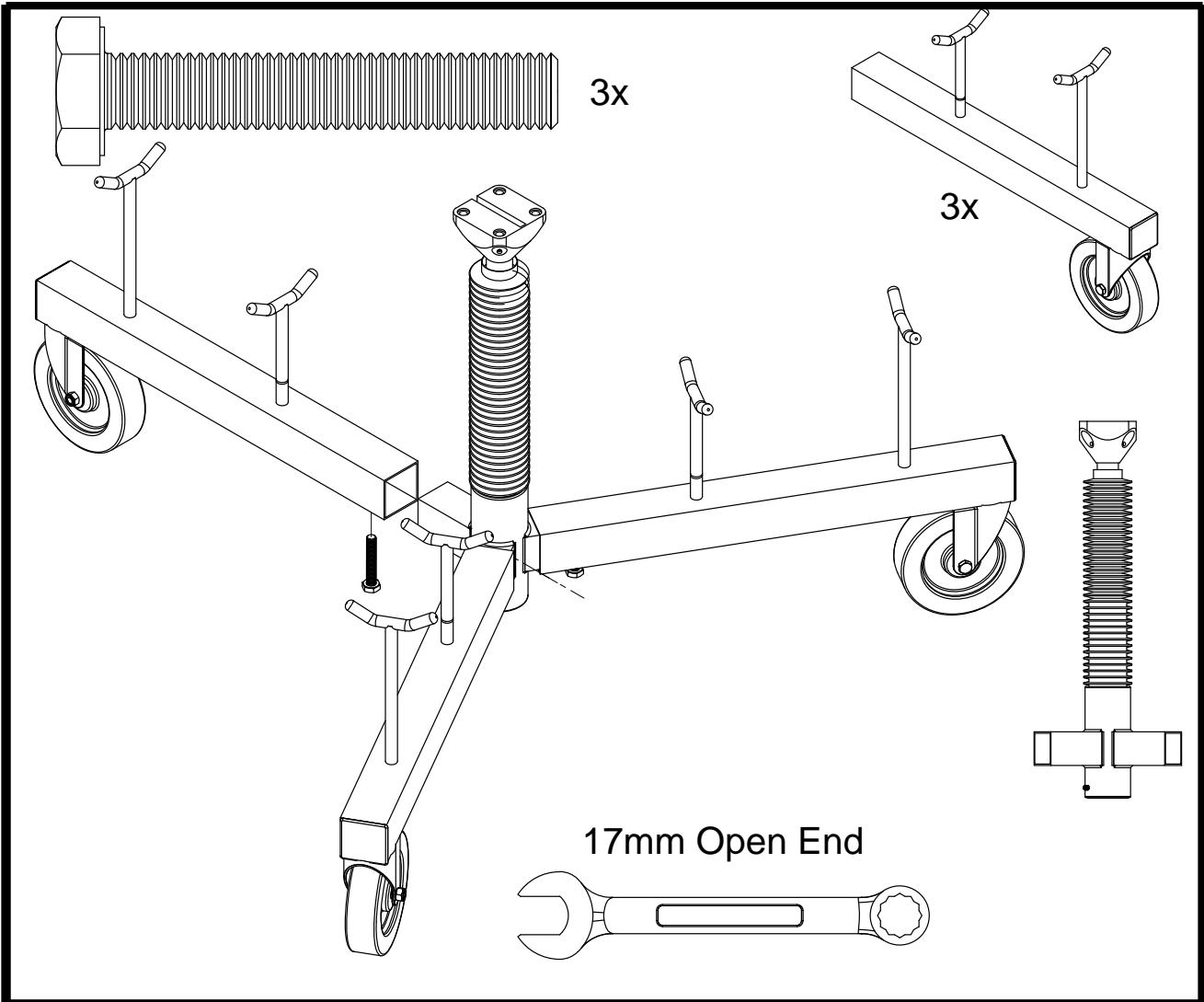
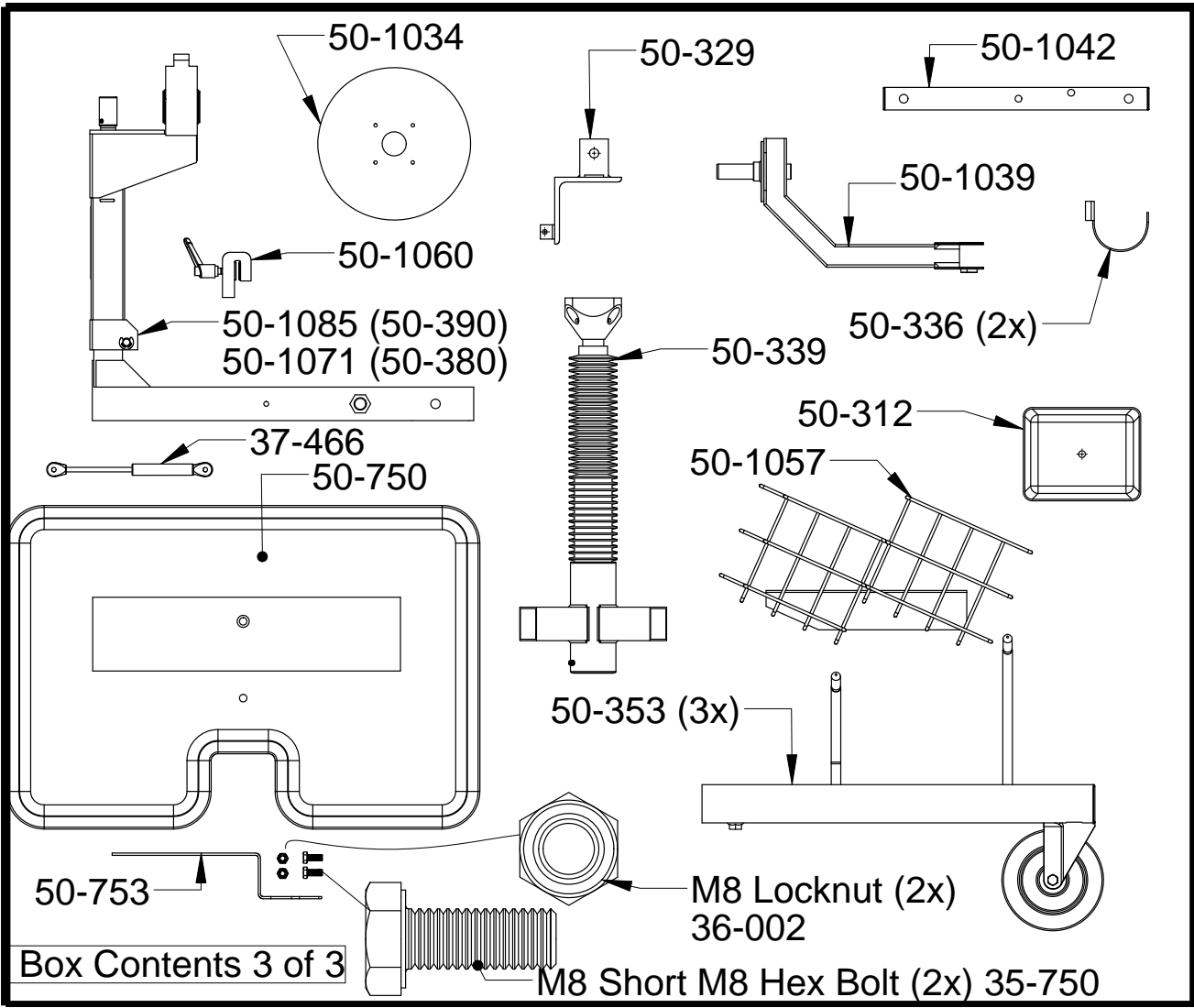
M6 Bolt Short (1x)
35-249

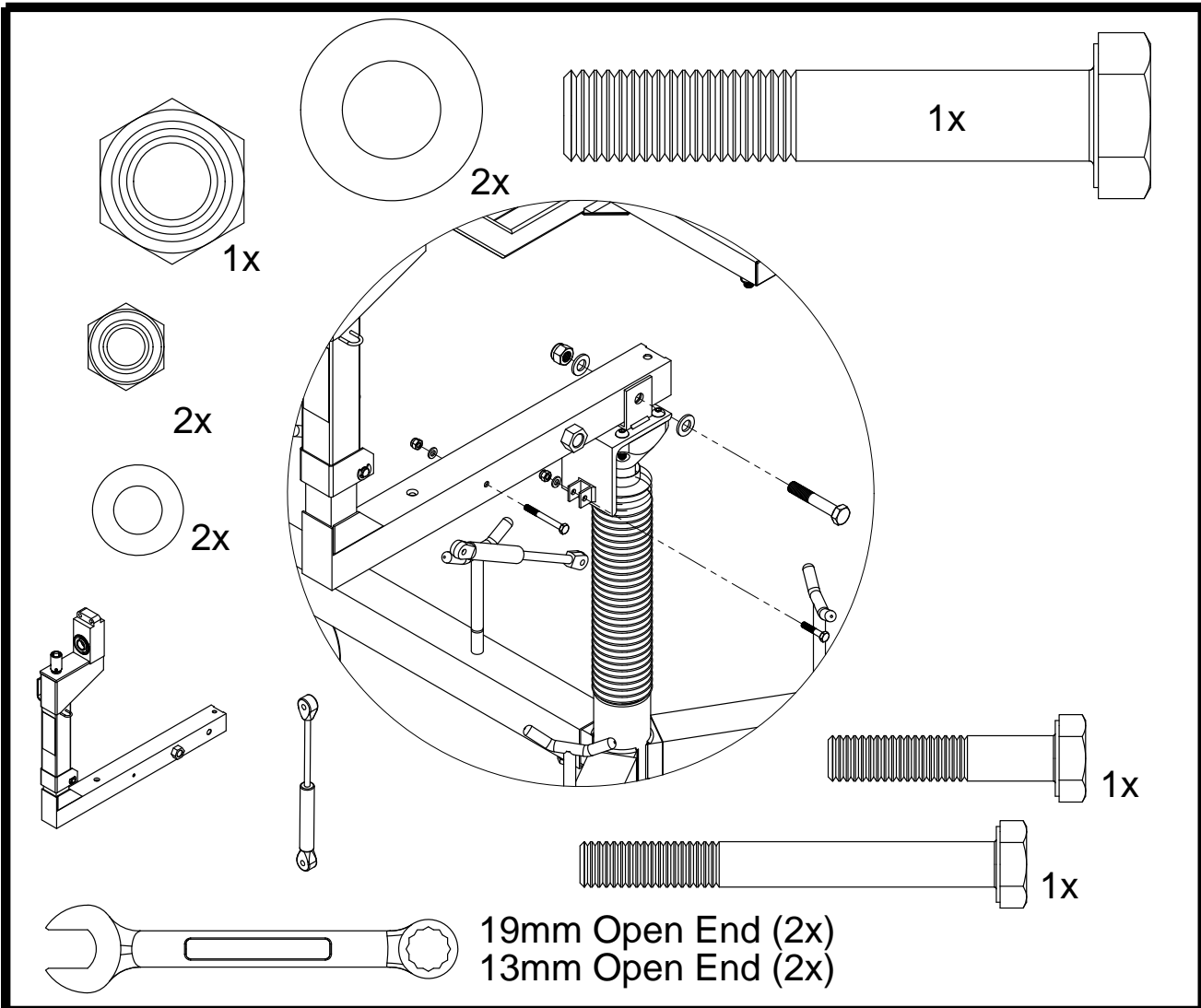
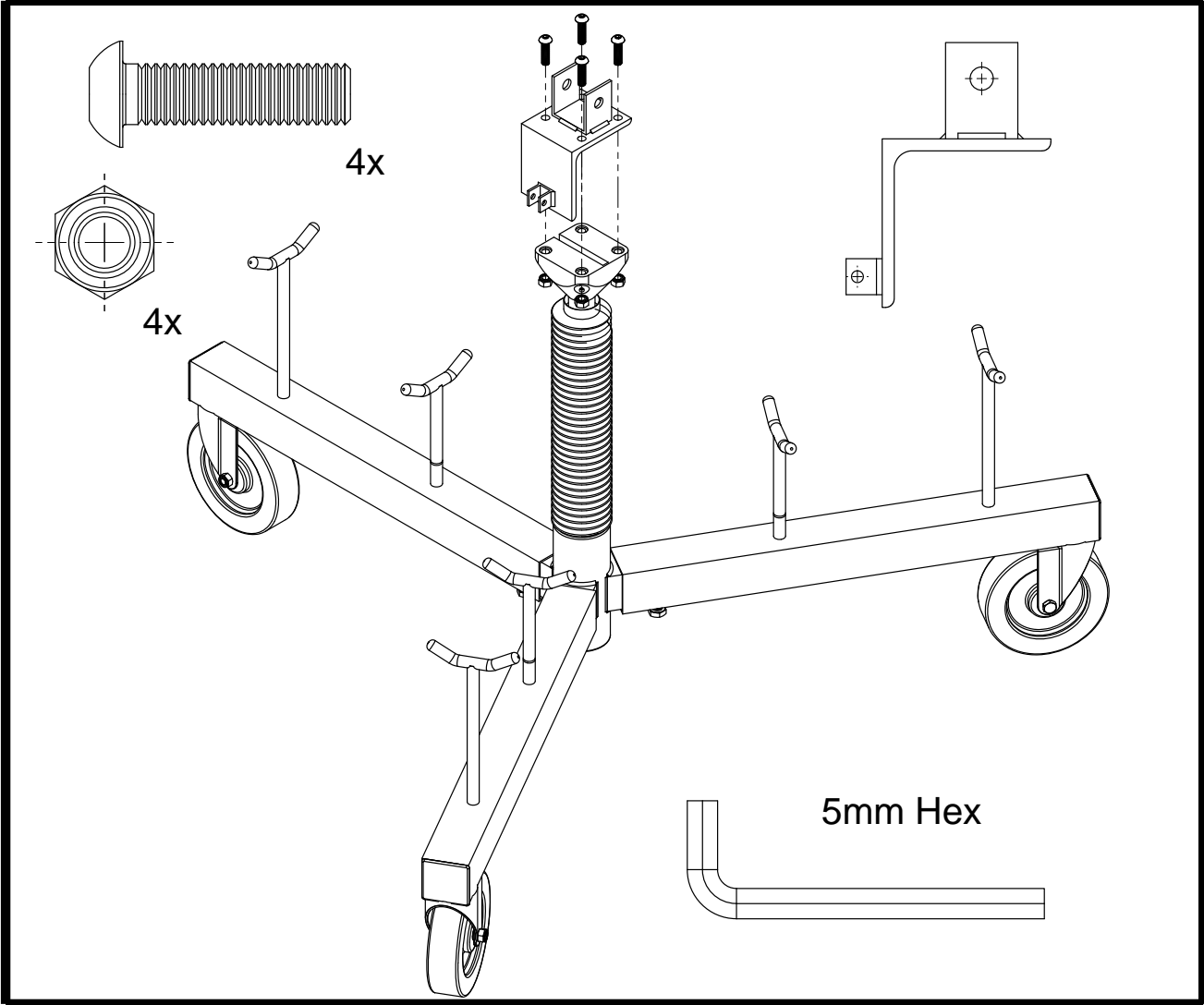


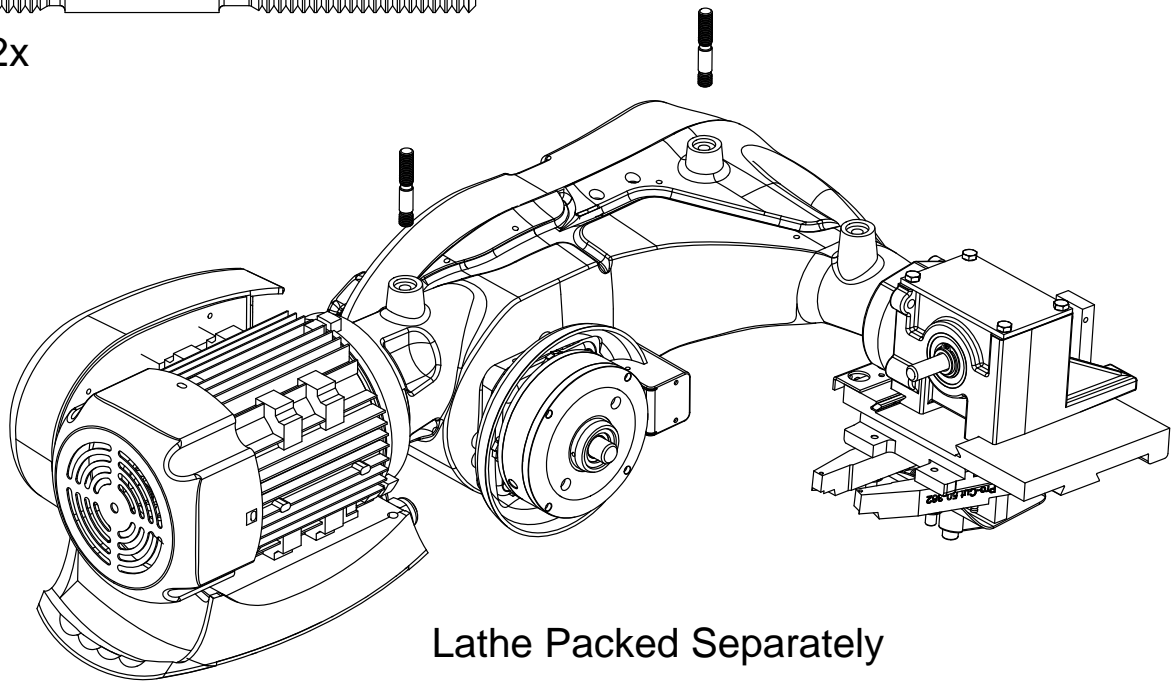
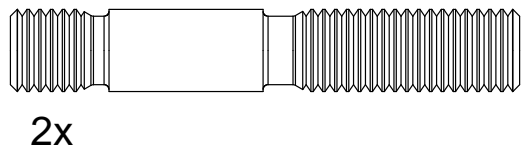
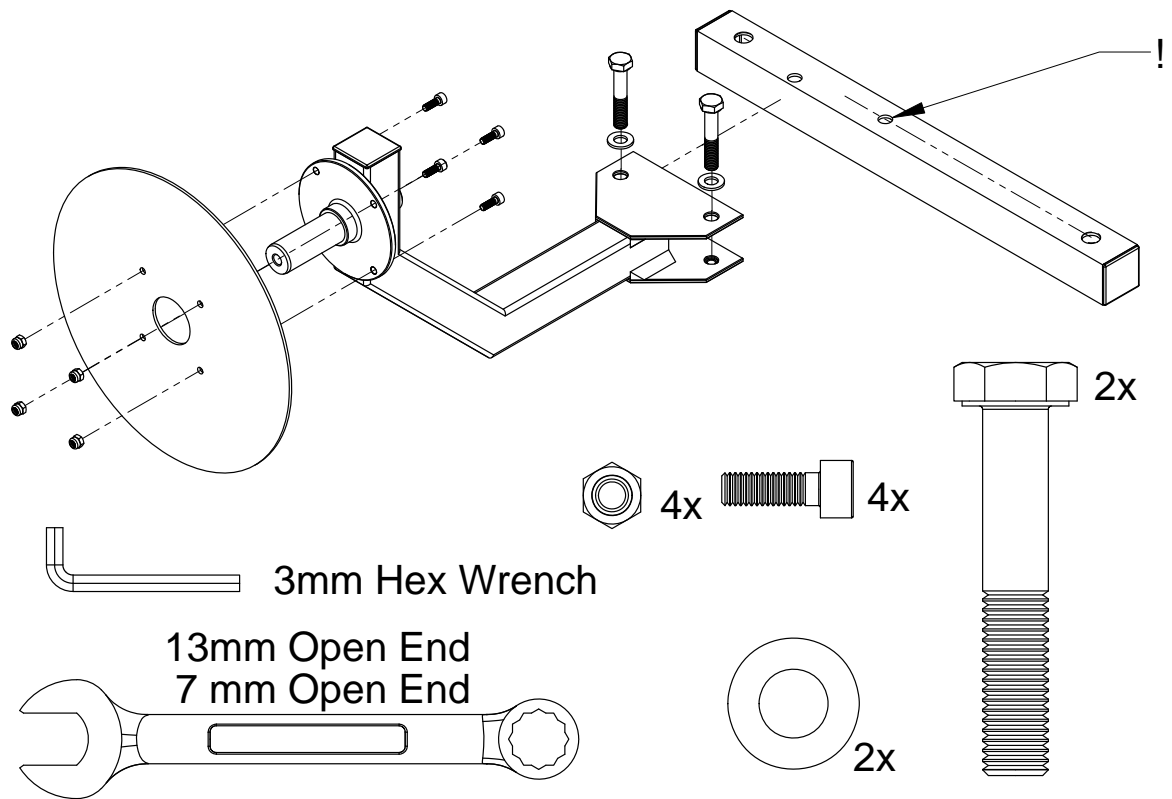
M6 Washer (2x)
37-454

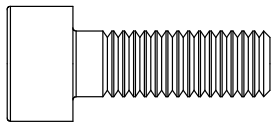


M6 Locknut (2x)
36-020

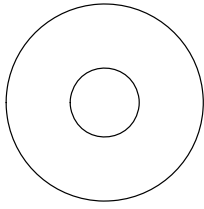
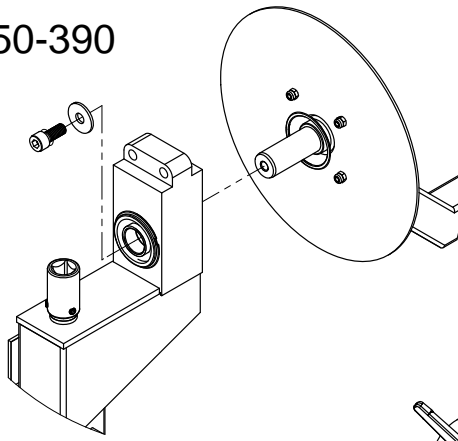




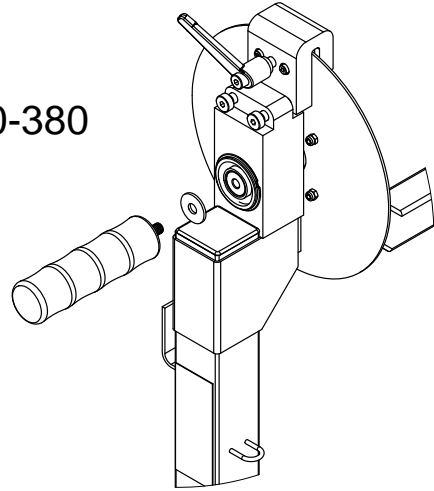




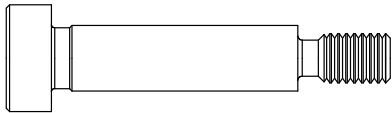
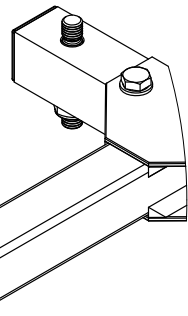
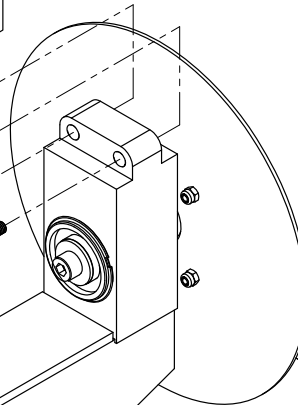
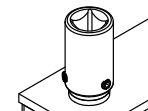
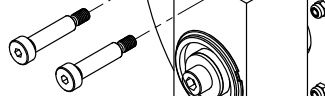
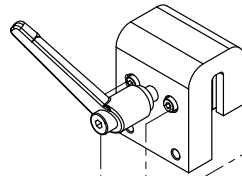
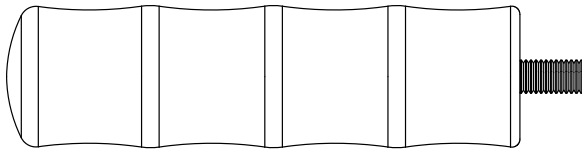
50-390



50-380



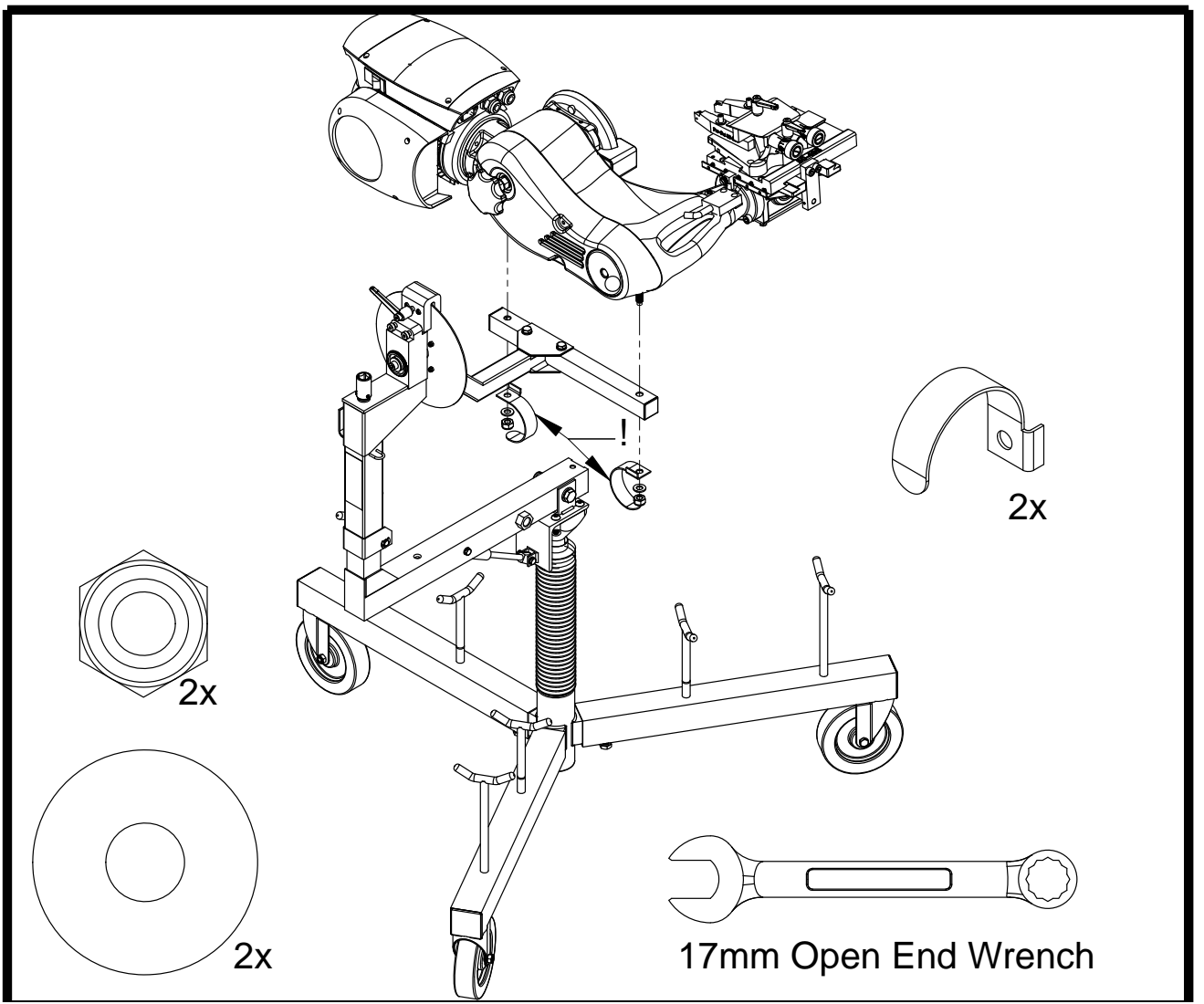
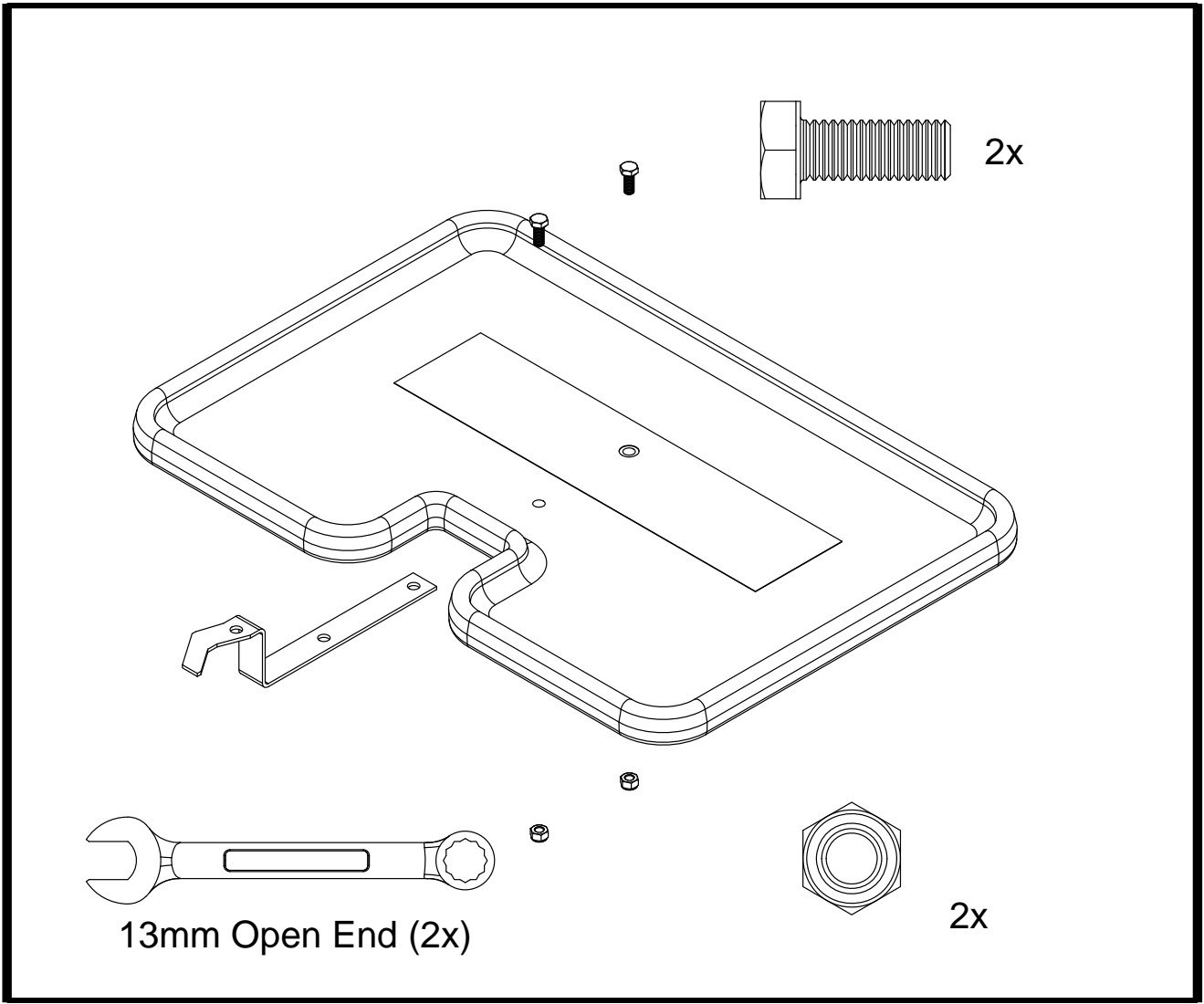
6mm Hex Wrench

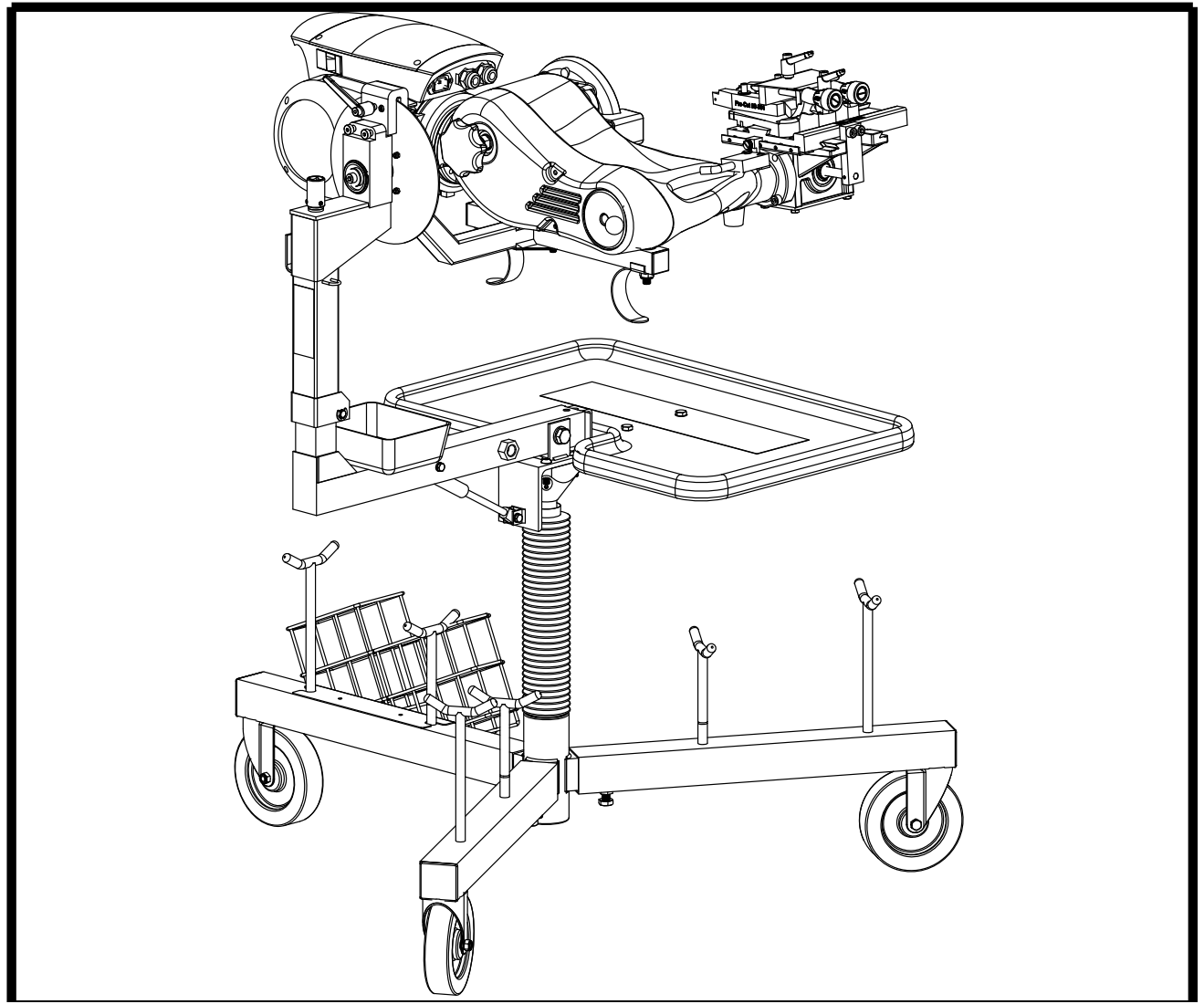
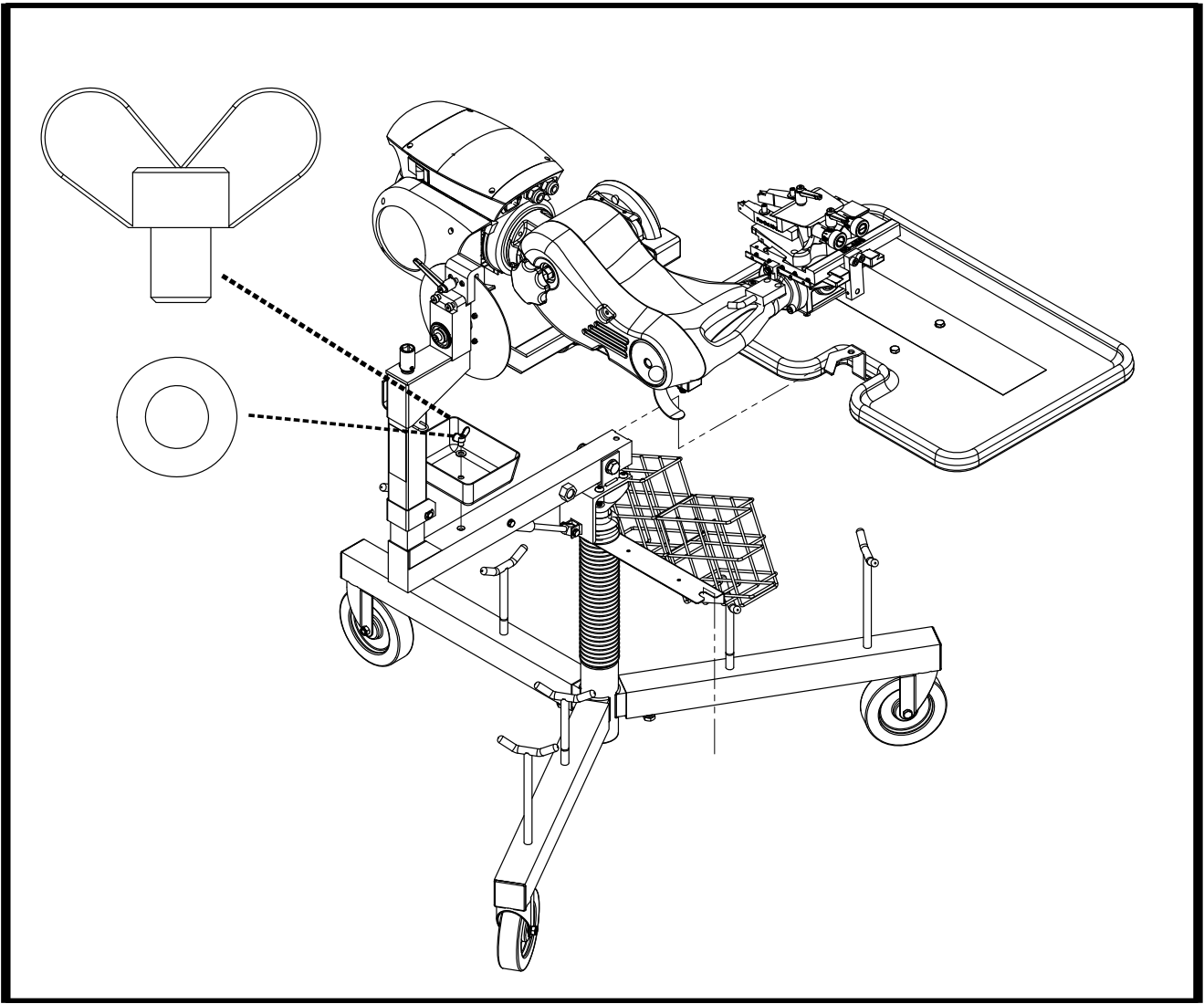


2x

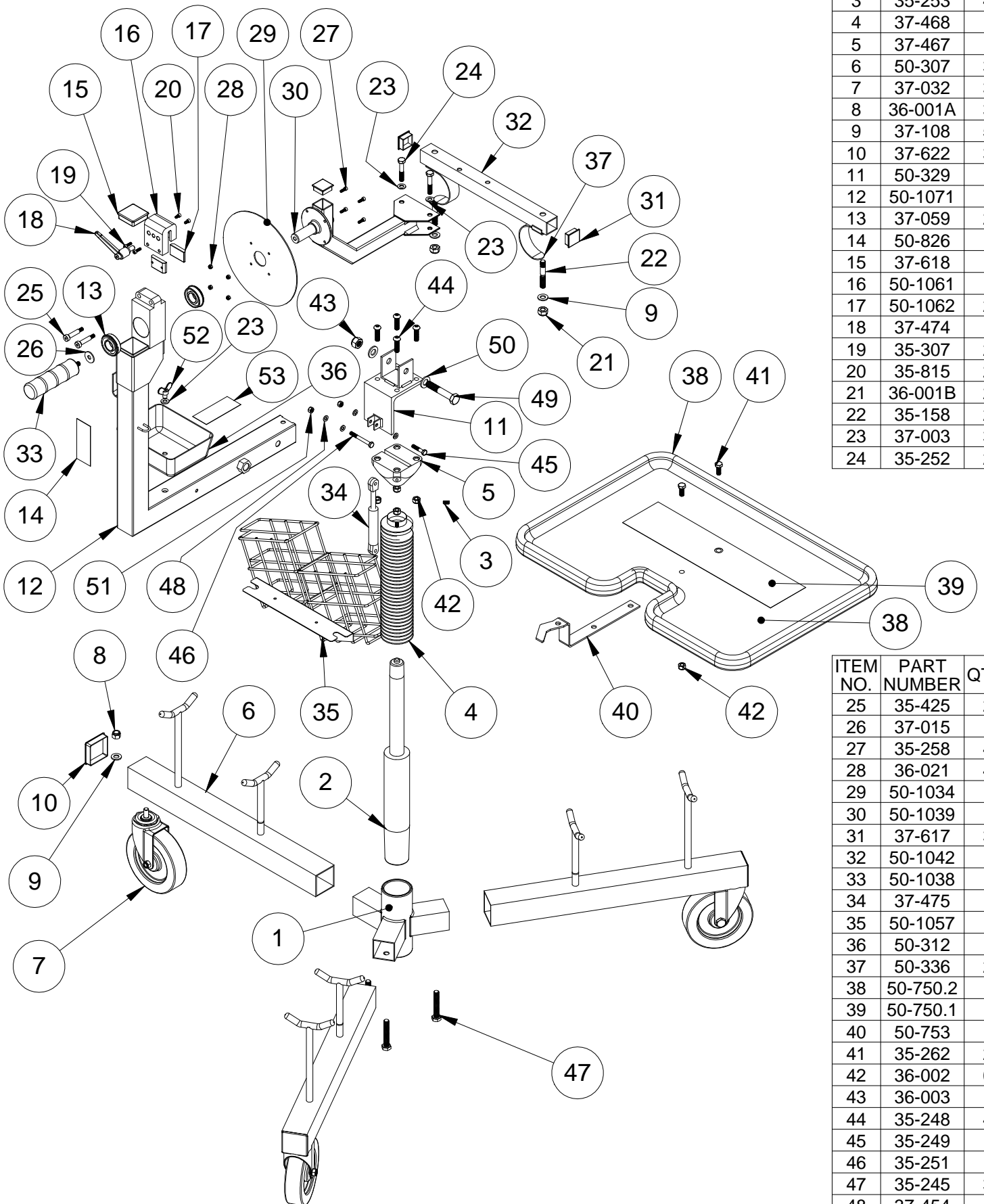
4mm Hex Wrench







50-380



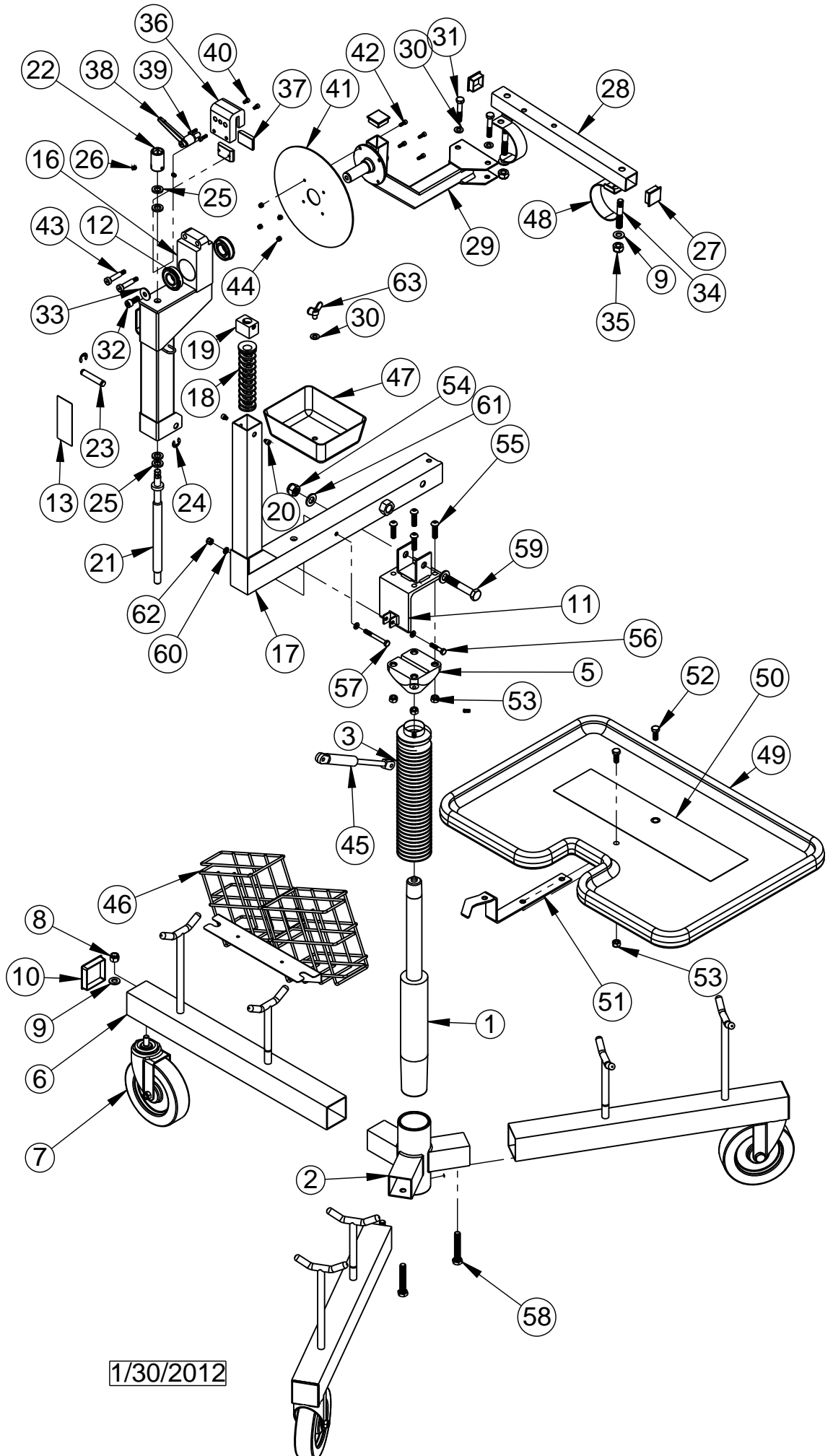
ITEM NO.	PART NUMBER	QTY.
1	50-348	1
2	37-465	1
3	35-253	4
4	37-468	1
5	37-467	1
6	50-307	3
7	37-032	3
8	36-001A	3
9	37-108	5
10	37-622	3
11	50-329	1
12	50-1071	1
13	37-059	2
14	50-826	1
15	37-618	1
16	50-1061	1
17	50-1062	2
18	37-474	1
19	35-307	2
20	35-815	2
21	36-001B	2
22	35-158	2
23	37-003	3
24	35-252	2

ITEM NO.	PART NUMBER	QTY.
25	35-425	2
26	37-015	1
27	35-258	4
28	36-021	4
29	50-1034	1
30	50-1039	1
31	37-617	3
32	50-1042	1
33	50-1038	1
34	37-475	1
35	50-1057	1
36	50-312	1
37	50-336	2
38	50-750.2	1
39	50-750.1	1
40	50-753	1
41	35-262	2
42	36-002	6
43	36-003	1
44	35-248	4
45	35-249	1
46	35-251	1
47	35-245	3
48	37-454	4
49	35-250	1
50	37-004	2
51	36-020	2
52	35-243	1
53	50-825	1

8/10/2011

50-390 Exploded View

ITEM NO.	PART NUMBER	QTY.
1	37-465	1
2	50-348	1
3	37-468	1
4	35-253	2
5	37-467	1
6	50-307	3
7	37-032	3
8	36-001A	3
9	37-108	5
10	37-622	3
11	50-329	1
12	37-059	2
13	50-826	1
16	50-1081	1
17	50-1082	1
18	50-057	1
19	50-305	1
20	35-242	2
21	50-1083	1
22	50-318	1
23	50-1084	1
24	37-081	2
25	37-109	4
26	35-247	2
27	37-617	3
28	50-1037	1
29	50-1035	1
30	37-003	3
31	35-252	2
32	35-238	1
33	37-015	1
34	35-158	2
35	36-001B	2
36	50-1061	1
37	50-1062	2
38	37-474	1
39	35-307	2
40	35-815	2
41	50-1034	1
42	35-258	4
43	35-425	2
44	36-021	4
45	37-475	1
46	50-1057	1
47	50-312	1
48	50-336	2
49	50-750.2	1
50	50-750.1	1
51	50-753	1
52	35-262	2
53	36-002	6
54	36-003	1
55	35-248	4
56	35-249	1
57	35-251	1
58	35-245	3
59	35-250	1
60	37-454	4
61	37-004	2
62	36-020	2
63	35-243	1



1/30/2012